

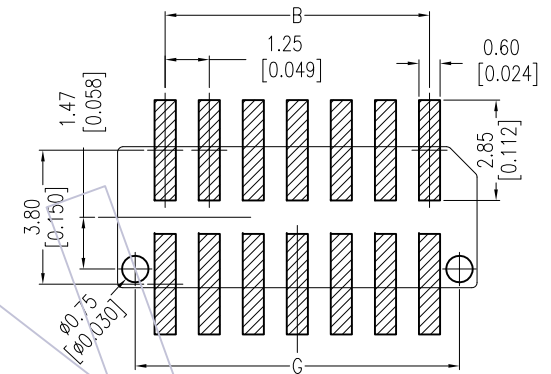
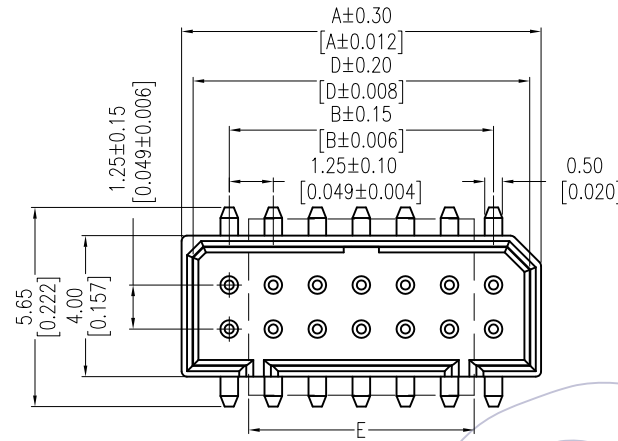
# HSF

**NOTES:**

Voltage Rating: 50V AC/DC  
 Current Raing: 0.5AMP  
 Contact Resistance: 20mΩ max  
 Withstand Voltage: 500V AC/Minute  
 Insulation Resistance: 500MΩ min  
 Operation Temperature: -40°C to +105°C

Contact Material: Brass  
 Contact Plating: Sn OR Au OVER Nickel  
 Insulator Material: PA9T+33%GF UL94V-O BLACK

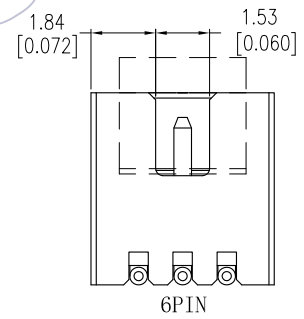
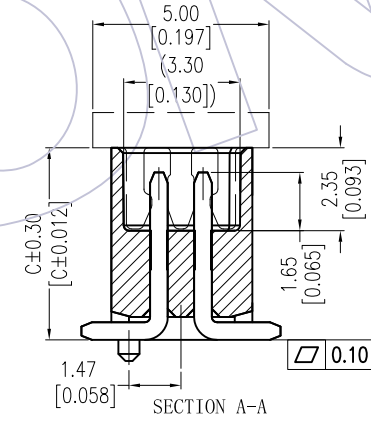
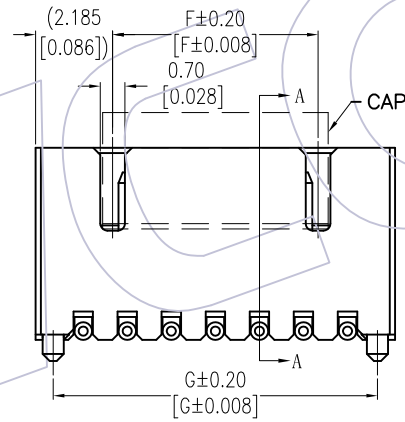
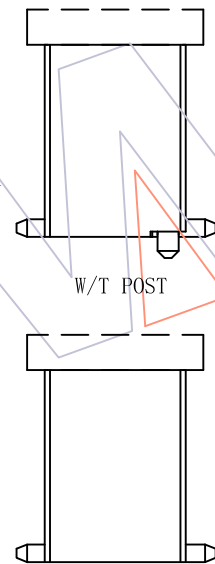
Recommended P.C.B Layout (Top Side)  
 (PCB BOARD TOLERANCE ±0.05)



## Ordering Information

3651-P XXX - XXX XX R0X

No.of Pins	Height of Housing	Plating	Packing
006: 06 Pin	039: 3.95	G0=Gold Flash	R=Tape&Reel
010: 10 Pin	054: 5.45	G3=10u"Gold	
012: 12 Pin	059: 5.95	G4=15u"Gold	
014: 14 Pin	093: 9.35	G5=30u"Gold	
016: 16 Pin		SM=Matle Tin	
018: 18 Pin			
020: 20 Pin			
022: 22 Pin			
024: 24 Pin			



Pos	Part No.	E
6-10PIN	CAP3651-G202	3.60
12-24PIN	CAP3651-G201	6.40

3651-PXXX-XXXXR02	W/O POST
3651-PXXX-XXXXR01	W/T POST

24	16.45	13.75		15.80	12.08	15.45
22	15.20	12.50		14.55	10.83	14.20
20	13.95	11.25	9.35	13.30	9.58	12.95
18	12.70	10.00	5.95	12.05	8.33	11.70
16	11.45	8.75	5.45	10.80	7.08	10.45
14	10.20	7.50	3.95	9.55	5.83	9.20
12	8.95	6.25		8.30	4.58	7.95
10	7.70	5.00		7.05	3.33	6.70
6	5.20	2.50		4.55		4.20
Pos.	A	B	C	D	F	G

REV	DATE	MODIFICATION DESCRIPTION	CHANGE	OPERATION	DRAW	DATE	SCALE	FIT	PART NO.
				X.X	DingWenMin	2016.10.25	UNIT	mm	3651-PXXX-XXXXR0X
				X.XX	CHECK	DATE	SIZE	A4	TITLE:
				X.XXX	APPROVE	DATE	SHEET	1/1	1.25mm BTB MALE CONN, SMT TYPE
				Angle			PROJ.		Customer NO.
				DIM					
				TOL					

**WCON**  
 Http: www.wcon.com

WCON-Dongguan  
 Tel: +86 769 85358920  
 Fax: +86 769 85358915  
 E-mail: sales@wcon.com

WCON-Kunshan  
 Tel: +86 512 57468408  
 Fax: +86 512 57468468  
 E-mail: sales@wcon.com