

HSF

NOTES:

Current Rating:8A
 Voltage Rating:300V
 Contact Resistance:8milliohm Max
 Withstand Voltage:AC2000V
 Insulation Resistance:1000Megohm Min
 Screw Torque: 2 lbf.in
 Wire range: 16-30AWG
 Operation Temperature:-40°C to +105°C

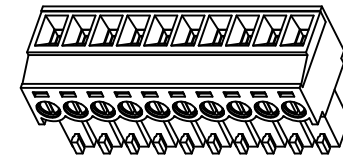
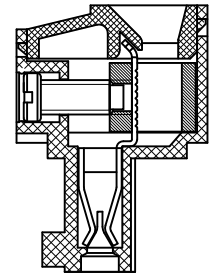
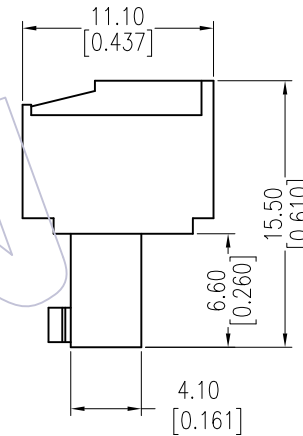
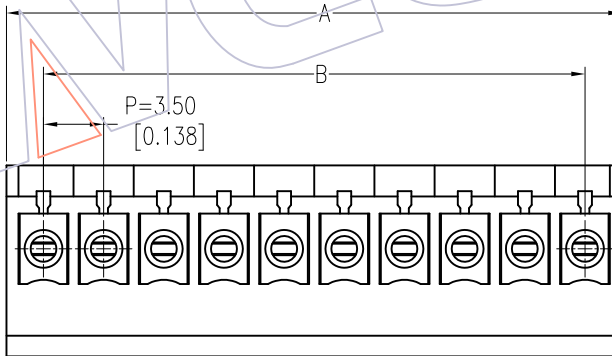
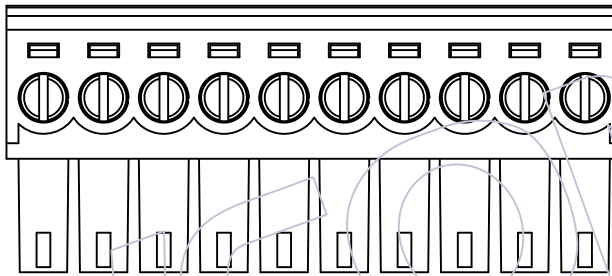
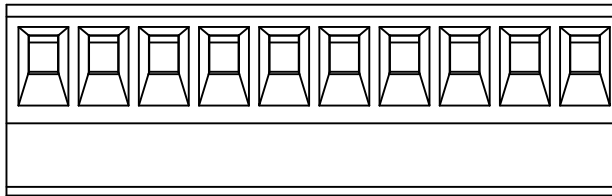
Housing Material:PA66 UL94V-0
 Cover Material:PA66 UL94-V0
 Screw:Steel
 Pin Block:Brass
 Contact:Phosphor Bronze

Ordering Information:

P F 350 - C XX A SM N 1

F=Female Pitch 350=3.50
 No.of Pins 02-20P
 Color A=Green
 Contact Plated SM=Matte Tin
 Type \triangle N=Without Two Side Screw

11P	39.30 ±0.30	35.00 ±0.30			
10P	35.80 ±0.30	31.50 ±0.30	20P	70.80 ±0.40	66.50 ±0.40
9P	32.30 ±0.30	28.00 ±0.30	19P	67.30 ±0.40	63.00 ±0.40
8P	28.80 ±0.20	24.50 ±0.20	18P	63.80 ±0.40	59.50 ±0.40
7P	25.30 ±0.20	21.00 ±0.20	17P	60.30 ±0.40	56.00 ±0.40
6P	21.80 ±0.20	17.50 ±0.20	16P	56.80 ±0.40	52.50 ±0.40
5P	18.30 ±0.20	14.00 ±0.20	15P	53.30 ±0.40	49.00 ±0.40
4P	14.80 ±0.20	10.50 ±0.20	14P	49.80 ±0.30	45.50 ±0.30
3P	11.30 ±0.20	7.00 ±0.20	13P	46.30 ±0.30	42.00 ±0.30
2P	7.80 ±0.20	3.50 ±0.10	12P	42.80 ±0.30	38.50 ±0.30
PINS	A	B	PINS	A	B



REV	DATE	MODIFICATION DESCRIPTION	CHANGE	OPERATION	DRAW	DATE	SCALE	FIT	PART NO.
A2	2015/07/15	Modify	\triangle	X.X ±0.40	Allen	2015/07/15	UNIT	mm	PF350-CXXASMN1 \triangle
A1	2012/05/09	MODIFY PM350-00-XX-A-SM → PF350-CXXASMN1	\triangle	X.XX ±0.25	CHECK	DATE	SIZE	inch	TITLE:
A0	2011/06/07	NEW	—	X.XXX ±0.15	APPROVE	DATE	SHEET	A4	3.50mm Pitch Female
				Angle ± 3'			PROJ.	1/1	Pluggable Terminal Blocks
				DIM TOL					Customer NO.

WCON

Http: www.wcon.com

WCON-Dongguan Tel: +86 769 85358920
 WCON-Kunshan Tel: +86 512 57468408
 Fax: +86 769 85358915
 Fax: +86 512 57468468
 E-mail: sales@wcon.com
 E-mail: salesks@wcon.com